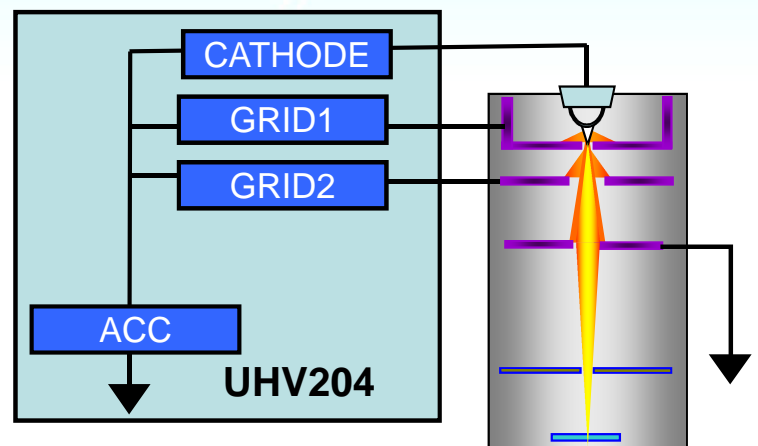
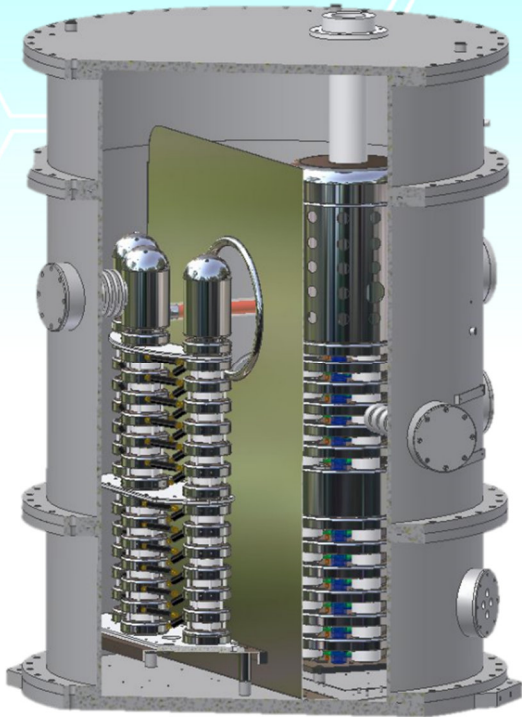


Tetrode Electron Gun Power Supply

UHV204-4NS

Applications

- ◆ High resolution TEM
- ◆ Nano-Focus X-ray System



◆ Feature

- High stability / Low ripple noise
- High stability temperature characteristics
- SF6 gas insulation: 0.19 Mpa
- Easy operation
- Control from an external PC
- Auto sequence program function
- Slow up/down function
- Over current / Over voltage protection
- RoHS compliant
- Symmetrical CW circuit
- Built-in support for easy installation

Tetrode Electron Gun Power Supply UHV204-4NS

Main Specifications

Input voltage 90 V to 240 V AC single phase 5.0 A (50/60 Hz) * After 90minutes worm-up

	Accelerator	Cathode	Grid 1	Grid 2
	Referenced to GND	Referenced to ACC	Referenced to ACC	Referenced to ACC
Output Voltage	-1kV to -200kV	0 to 5V	-0.03kV to -1kV	+0.4kV to +8kV
Voltage absolute accuracy	< 0.1%		< 1.0% @500V	< 0.1%
Setting accuracy	20bit (0.2V LSB)	16bit (1mA LSB)	16bit (0.1V LSB)	16bit (0.13V LSB)
Output current	1mA max	0~3.5A(17.5W max) Constant current	150μA max	1mA max
Ripple noise	< 2Vp-p@200kV	< 5mA p-p @3A	< 20mVp-p	< 50mVp-p @5.0kV
Absolute accuracy		±0.01A		
Stability	25ppm/1hr@200kV*	25ppm/1hr @ 3.0A*	25ppm/1hr *	25ppm/1hr *
Temperature coefficient	10ppm/°C	10ppm/°C	10ppm/°C	10ppm/°C

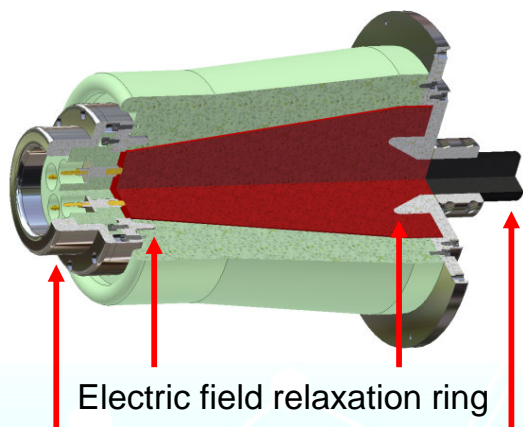
Option : High voltage connection and assembly

※ Can be customized

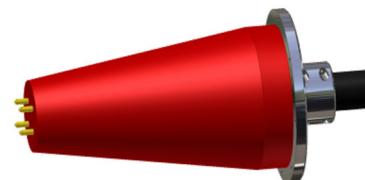
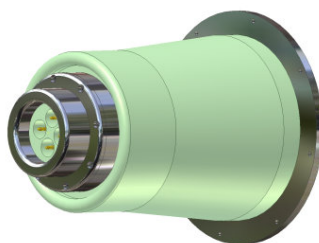
Connect receptacle and plug

High voltage receptacle

High voltage plug and cable



Electric field relaxation ring



High voltage part

High voltage plug and cable

Control method

- Panel operation
- Remote control:
Optically isolated RS-232C

Environmental and dimensions

- Storage temperature range : -5°C~+40°C
- Operating temperature : +10°C~+40°C
- Humidity : 80%以下
- Dimensions : 1000mm(W)×1000mm(D)
×1500mm(H)
- weight : 800kg

FUTEX CO.,LTD <http://www.futex.jp/eng>
2-28-3Fukujima-cho Akishima Tokyo,196-0031 Japan
TEL:+81-42-549-2888 FAX:+81-42-549-2900


FUTEX CO.,LTD